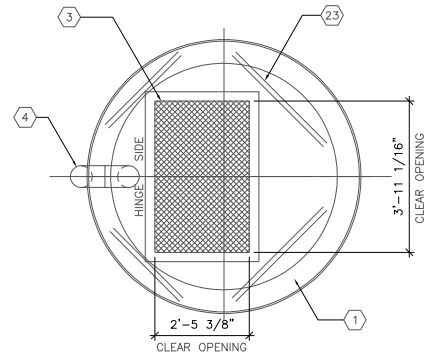
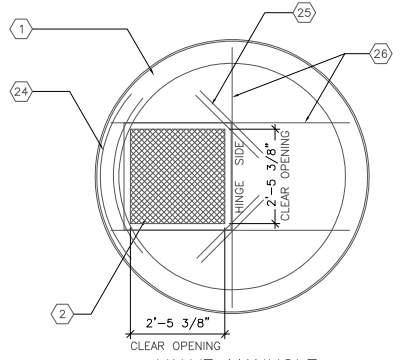


PLAN - LOWER LEVEL  
NTS



PLAN VIEW @ GRADE  
LIFT STATION



VALVE MANHOLE

WET WELL  
PLAN - ABOVE GRADE  
NTS

KEYNOTES:

- 1 PRECAST CONCRETE COVER
- 2 30" x 30" ALUMINUM HATCH WITH POSITIVE LOCK @ 90° OPENING. SEE PLAN AT GRADE FOR COVER HINGE ORIENTATION
- 3 30" x 48" ALUMINUM HATCH WITH UPPER GUIDE BRACKET, CHAIN HOOK, CABLE HOLDER, AND POSITIVE LOCK @ 90° OPENING. SEE PLAN AT GRADE FOR COVER HINGE ORIENTATION
- 4 VENT PIPE - SEE DETAIL F/LS3
- 5 SUBMERSIBLE PUMP (2 REQUIRED) INSTALL PER MANUFACTURER.
- 6 6'-0" INSIDE DIAMETER RCP MINIMUM, WALL B, CLASS 3 MEETING ASTM C-478
- 7 GROUT CIRCLE AS RECOMMENDED BY PUMP MANUFACTURER
- 8 PIPE CONNECTION - SEE DETAIL C/LS3 (TYP)
- 9 SANITARY INFLUENT PIPE
- 10 DIP PUMP DISCHARGE TO VALVE MANHOLE (TYP OF 2)
- 11 3" PVC VALVE MANHOLE DRAIN - FASTEN PIPE TO WALL IN WET WELL WITH 316 STAINLESS STEEL STRAPS AND 316 STAINLESS STEEL ANCHOR BOLTS, NUTS AND WASHERS. SEE SECTION ON SHEET LS2)
- 12 CORE DRILL AND SEAL WITH NON-SHRINK GROUT (TYP)
- 13 PIPE SEAL GASKET - SEE DETAIL A/LS3 (TYP)
- 14 FLANGED ADAPTER (2 REQD)
- 15 RUBBER FLAPPER CHECK VALVE (2 REQD)
- 16 FLANGED PLUG VALVE WITH LEVER OPERATOR (2 REQD)
- 17 PRESSURE GAUGE (TYP OF 2)
- 18 FIBERGLASS FALL PROTECTION GRATING
- 19 MANHOLE STEPS @ 12" ON CENTER
- 20 MJ GATE VALVES W/2" NUT OPERATOR EXTENSION AND VALVE BOX TO GRADE (SEE DETAIL H/LS3)
- 21 MJ REDUCER
- 22 LIFT STATION DISCHARGE FORCEMAIN
- 23 2 - #5 X 4'-0" LONG DIAG. BARS AT EACH CORNER, TOP AND BOTTOM
- 24 2 - #5 X 7'-0" LONG CIRCULAR BARS TOP & BOTTOM
- 25 2 - #5 X 4'-0" LONG DIAG. BARS AT EACH CORNER, TOP AND BOTTOM
- 26 ADDITIONAL #5 BARS TOP & BOTTOM - EACH SIDE
- 27 TEE WITH BLIND FLANGE
- 28 MJ GATE VALVES W/2" NUT OPERATOR EXTENSION AND VALVE BOX TO GRADE (SEE DETAIL H/LS3)

GENERAL NOTES:

1. SEE CIVIL DWGS FOR SITE PLAN AND ROUTING OF PIPES
2. CONTRACTOR TO VERIFY EXISTING CONDITIONS
3. PAINT ALL INTERIOR MANHOLE CONCRETE, INTERIOR AND EXTERIOR PIPING WITH (2) COATS OF EPOXY PAINT
4. SEE SHEET LS3 (DETAIL J) FOR PIPE BEDDING (TYP)

FILE NAME: G:\ENG\SPCS\5402B

ENGINEERING DEPARTMENT

REVISED: 1-22

PLATE: 5402 B

LIFT STATION AND VALVE STANDARD DETAIL (PLAN)

CITY OF CHANTHANNA