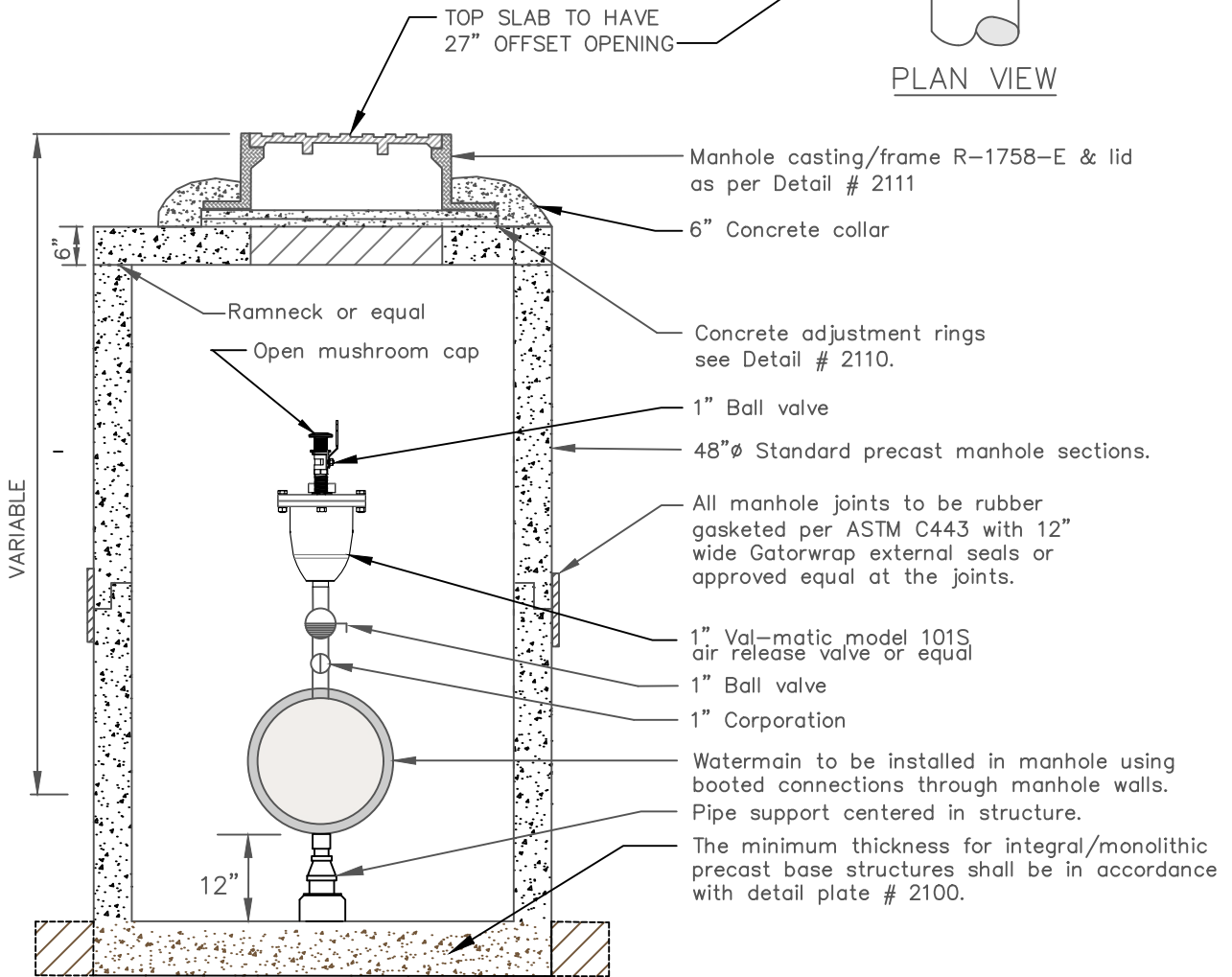
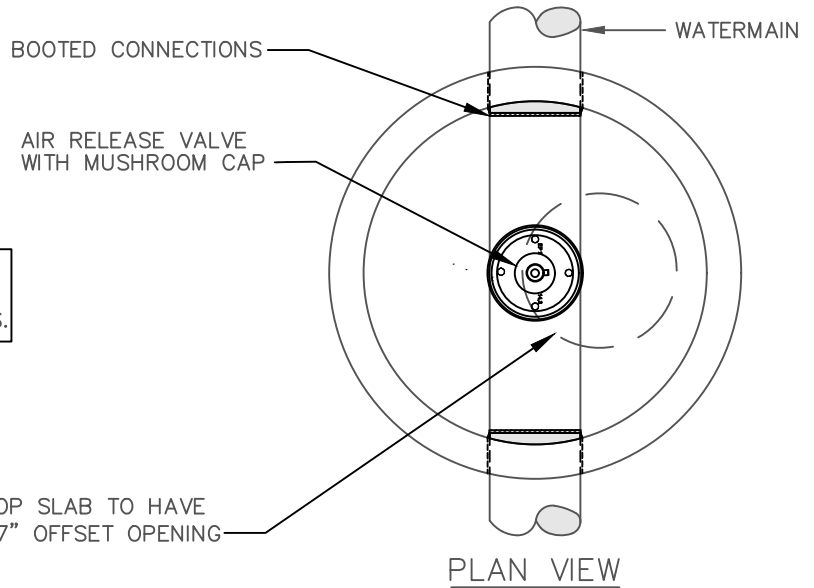



**NOTE:**  
ALL TAPS IN WATERMAIN SHALL USE FULL BODY STAINLESS STEEL SADDLES.



SECTION VIEW

 Each structure shall be checked for buoyancy and certified by the Engineer of record that flotation will not occur.



**CITY OF  
CHANHASSEN**

WATERMAIN  
AIR RELIEF MANHOLE

REVISED: 3-23

FILE NAME: G:\ENG\SPECS\1008

ENGINEERING DEPARTMENT

PLATE NO.:

1008