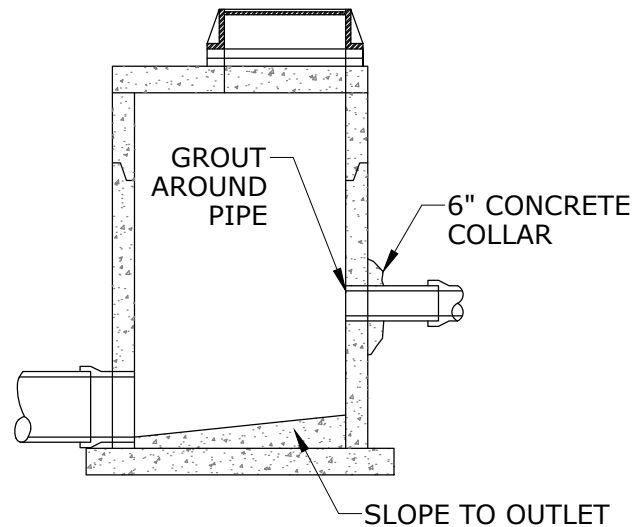


**NOTES:**

1. CLEANOUTS REQUIRED AT 200' MAXIMUM INTERVALS AND ALL ENDING POINTS IN ACCORDANCE WITH DETAIL PLATE 5234.
2. SWING TIES TO BE SHOWN ON AS-BUILTS FOR ALL CLEANOUTS AND ENDING POINTS TO ALL DRAINTILES.
3. OPENINGS IN STRUCTURE FOR DRAINTILE TO BE PREFABRICATED OR CORE DRILLED.
4. ALL DRAINTILE SHALL HAVE TRACER WIRES AND GROUND ROD.



**ALTERNATE 4" SUB-SURFACE DRAINTILE**

REVISED: 2-24

ENGINEERING DEPARTMENT

PLATE NO.:

**5233**