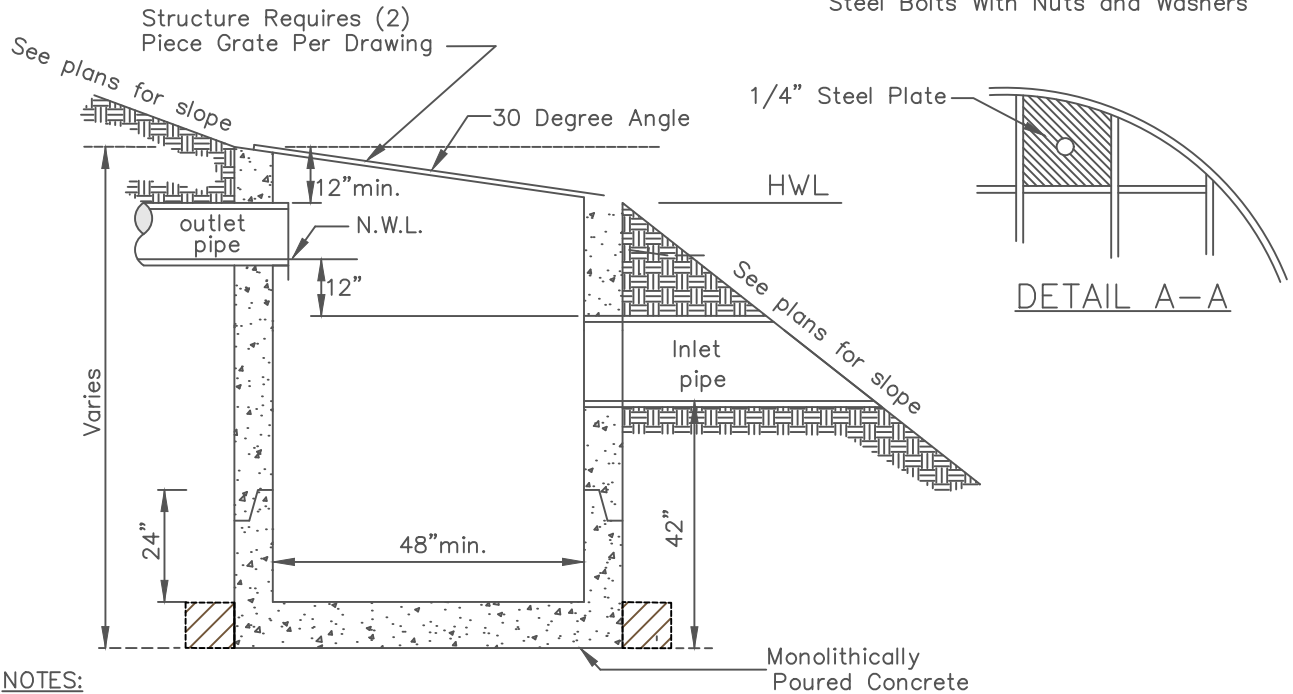
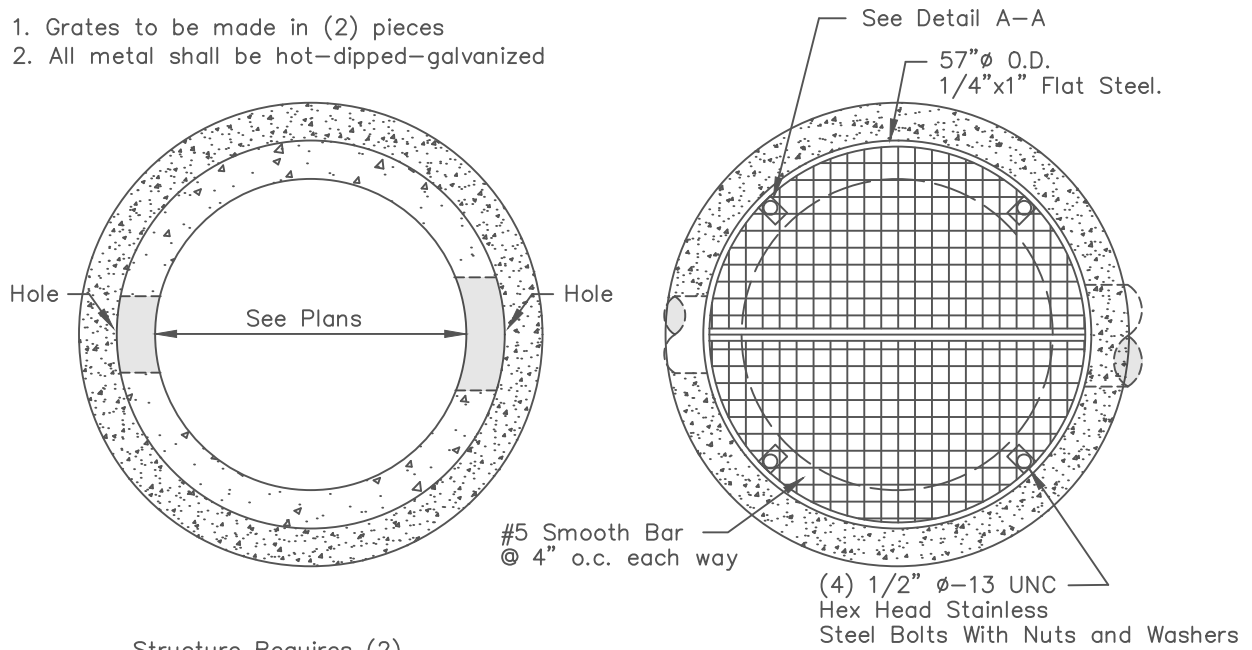



**NOTES:**

1. Grates to be made in (2) pieces
2. All metal shall be hot-dipped-galvanized



**NOTES:**

1. Standard pipe bedding required on both inlet & outlet pipes.
2. Tie last three joints. Use two tie bolt fasteners per joint.
3. The minimum thickness for the integral/monolithic precast bases shall be in accordance with detail #2100.
4. Evaluate #5 smooth bar 4" O.C. when in pedestrian accessible areas.

 Each structure shall be checked for buoyancy and certified by the Engineer of record that flotation will not occur.



**CITY OF  
CHANHASSEN**

POND OUTLET  
CONTROL STRUCTURE

REVISED: 3-23

FILE NAME: G:\ENG\SPECS\3109

ENGINEERING DEPARTMENT

PLATE NO.:

3109