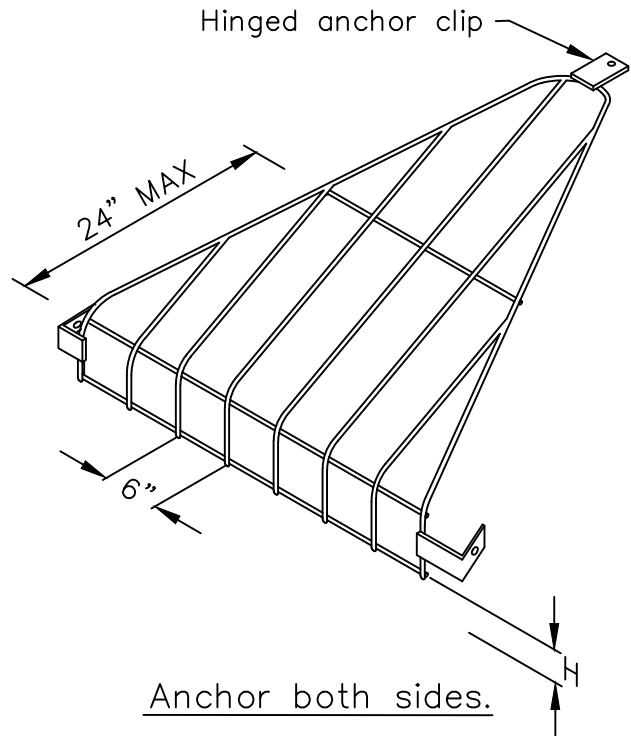


ISOMETRIC
NTS

Tie last 3 pipe joints.—
Use 2 tie bolt fasteners
per joint. Installed at
60° from top of pipe.



Provide 3 anchor clips to fasten
trash guard to flared end section.
Hot dip galvanize after fabrication.

TRASH GUARD SIZING

Pipe Size	Bars	'H'	Bolts
15"–18"	3/4"ø	4"	5/8"
21"–42"	1"ø	6"	3/4"
48"–72"	1 1/4"ø	12"	1"

Anchor both sides.

NOTES:

1. Trash guards shall only be placed when specified.
2. All new RC aprons connecting to new pipe shall have the joints tied back for the first 3 joints from the apron. When connecting new RC apron to existing pipe tie apron to first adjacent pipe.
3. All FES shall be delineated using a green 48" tall polyethylene marker post.
4. See City Plate No. 3107 for riprap placement.



**CITY OF
CHANHASSEN**

FLARED END SECTION
AND TRASH GUARDS

REVISED: 3–23

FILE NAME: G:\ENG\SPECS\3108

ENGINEERING DEPARTMENT

PLATE NO.:

3108