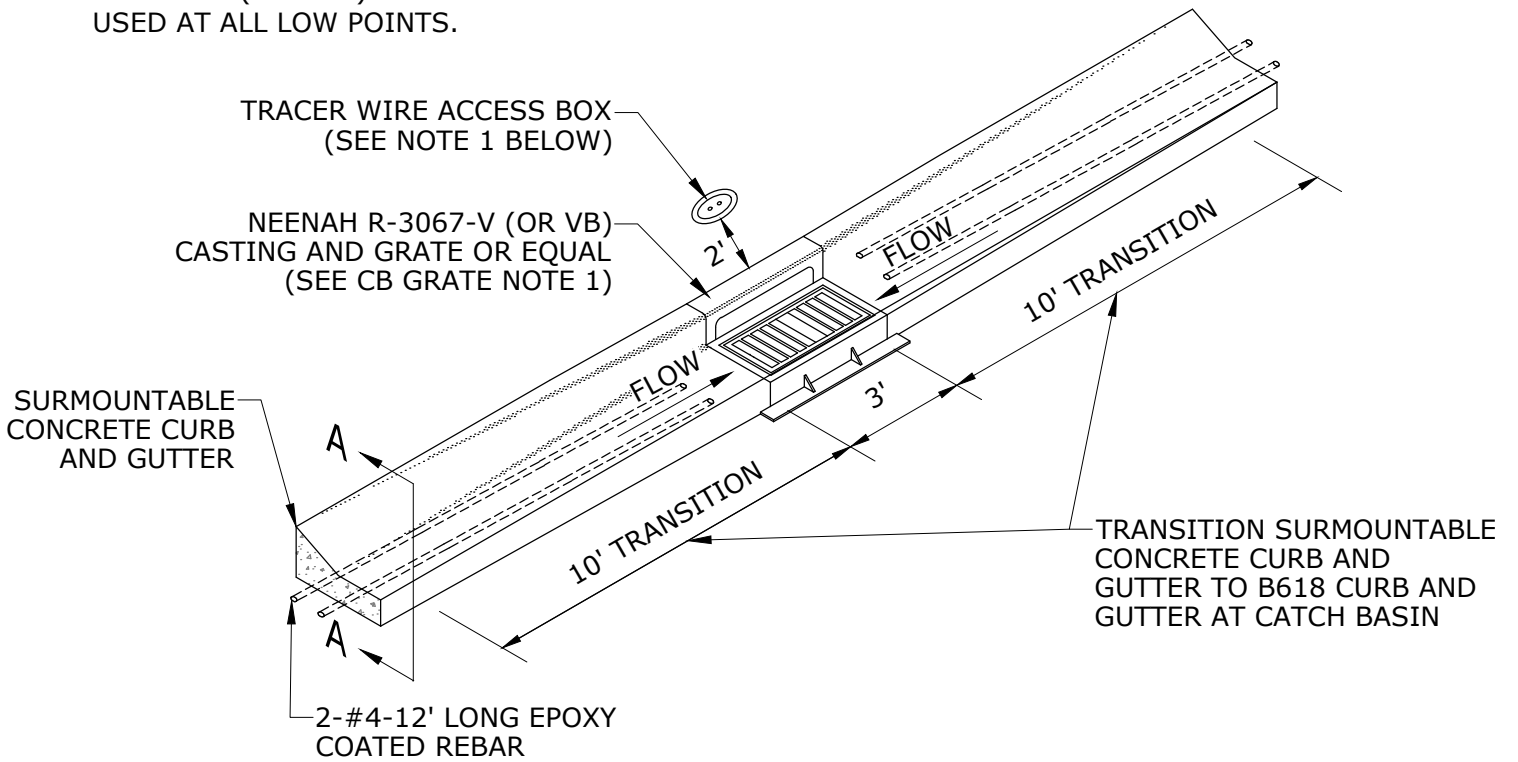


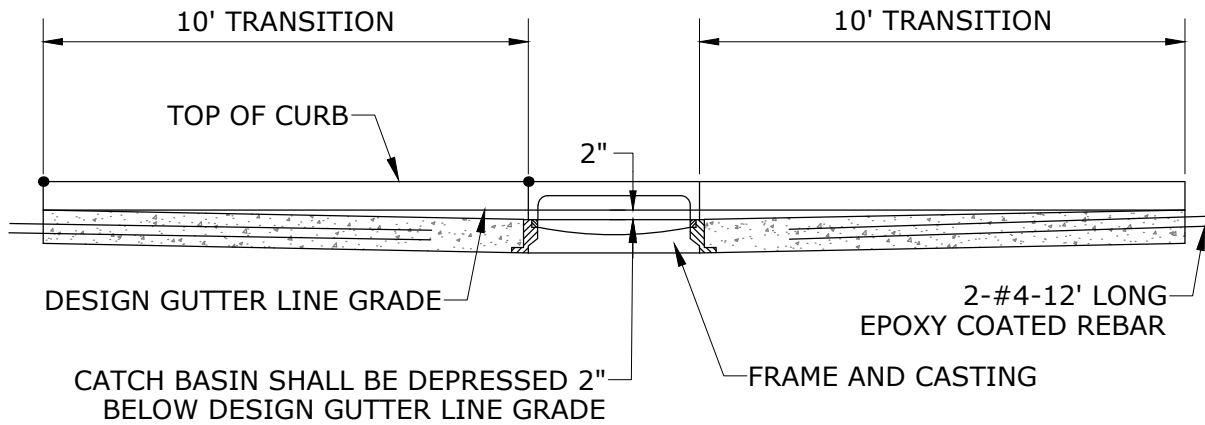
CB GRATE NOTES:

1. VB GRATE (SHOWN) SHALL BE USED AT ALL LOW POINTS.



ISOMETRIC

NOT TO SCALE



SECTION A-A

NOT TO SCALE

NOTES:

1. ALL DRAINTILE INSTALLATIONS SHALL BE IN ACCORDANCE WITH DETAIL PLATES 5232-5234. ASSOCIATED TRACER WIRE ACCESS BOXES TO BE LOCATED 2' BEHIND CATCH BASIN CASTING WHERE APPLICABLE.



CURB CONSTRUCTION AT CATCH BASIN

REVISED: 2-24

ENGINEERING DEPARTMENT

PLATE NO.:

3106