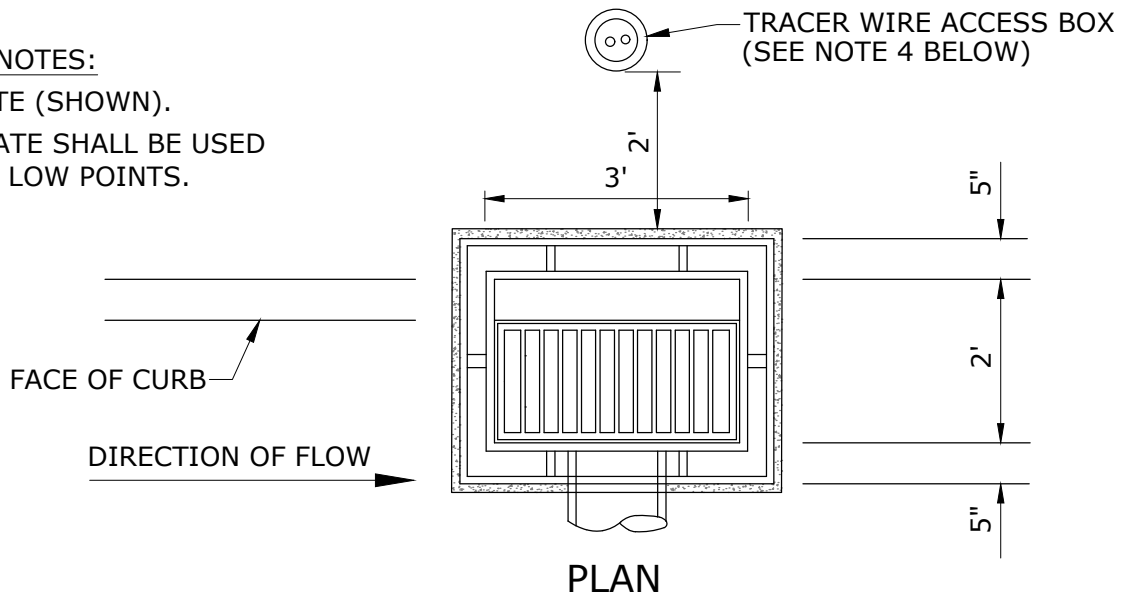


CB GRATE NOTES:

1. V GRATE (SHOWN).
2. VB GRATE SHALL BE USED AT ALL LOW POINTS.

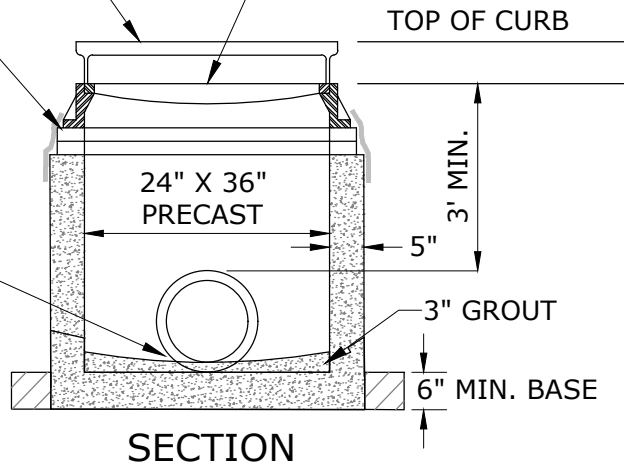


CATCH BASIN CASTING AND GRATE
NEENAH R3067-V OR EQUAL WITH
3" RADIUS CURB BOX.

GRATE TO BE 2" BELOW GUTTER GRADE.
10' TRANSITION CURB ON EACH SIDE OF
CATCHBASIN, IF ADJOINING A
SURMOUNTABLE CURB.

SEE DETAIL PLATE 2110 FOR
RING ADJUSTMENTS.

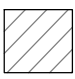
DOGHOUSES SHALL BE GROUTED
ON BOTH THE INSIDE AND OUTSIDE.



SECTION

NOTES:

1. STEPS SHALL BE PROVIDED IN ALL CATCH BASIN/MANHOLES AND STORM SEWER MANHOLES.
2. CASTING TO BE TOTALLY ENCASED IN CONCRETE CURB SECTION.
3. NO BLOCK STRUCTURES ARE ALLOWED.
4. ALL DRAINTILE INSTALLATIONS SHALL BE IN ACCORDANCE WITH DETAIL PLATES 5232-5234. ASSOCIATED TRACER WIRE ACCESS BOXES TO BE LOCATED 2' BEHIND CATCH BASIN CASTING WHERE APPLICABLE.

 EACH STRUCTURE SHALL BE CHECKED FOR BUOYANCY AND CERTIFIED BY THE ENGINEER OF RECORD THAT FLOTATION WILL NOT OCCUR.

STORM SEWER CATCH BASIN 2' X 3' RECTANGULAR



REVISED: 2-24

ENGINEERING DEPARTMENT

PLATE NO.:

3101