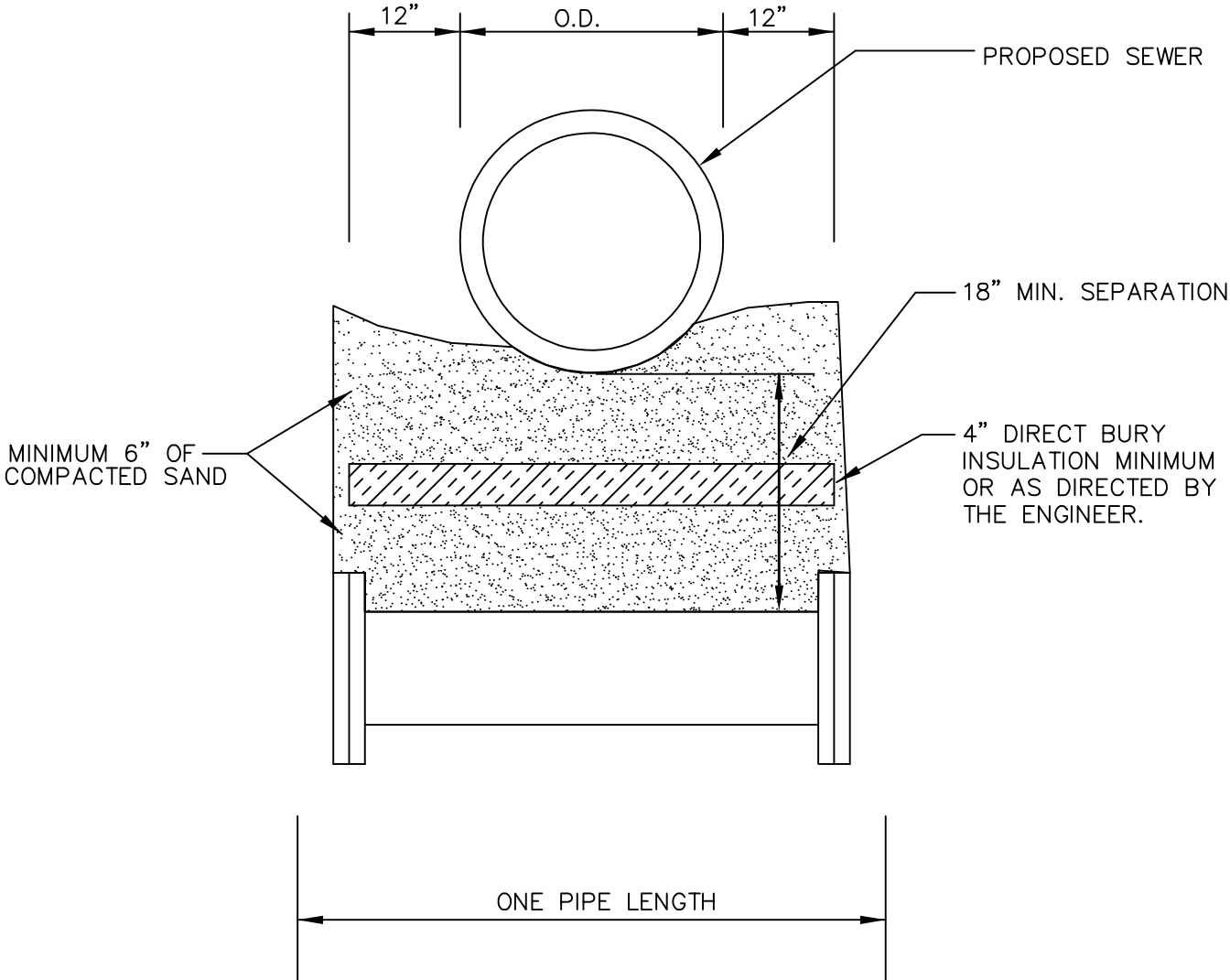


SHOWN AS TYPICAL



Notes:

- 1. INSULATION DETAILS SITE SPECIFIC, SEE ENGINEER FOR APPROVAL BEFORE CONSTRUCTION.
- 2. INSULATION AND COMPACTED SAND SHALL EXTEND 12" PAST OUTSIDE OF PIPE.
- 3. INSULATION SHALL OVERLAP AT JOINTS BY A MINIMUM OF 12".



**CITY OF  
CHANHASSEN**

INSULATED PIPE CROSSING

REVISED: 11-19

FILE NAME: G:\ENG\SPECS\2204

ENGINEERING DEPARTMENT

PLATE NO.: 2204