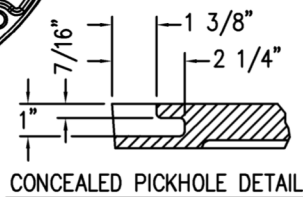
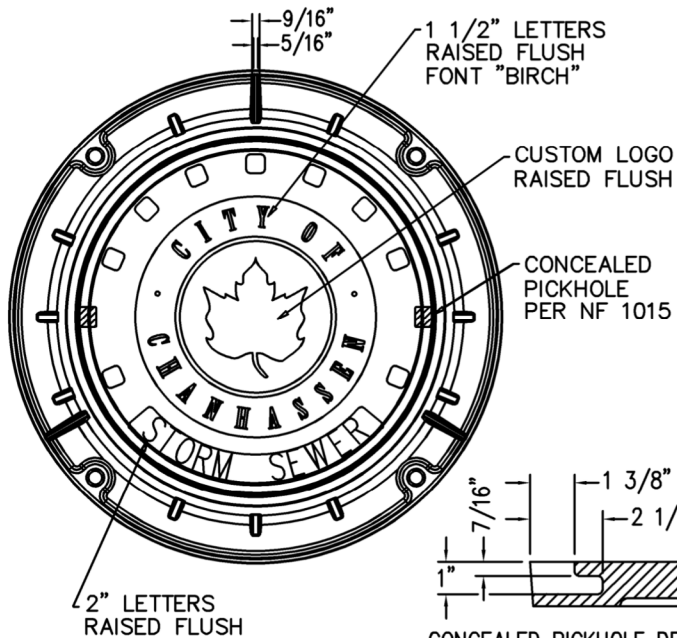


MACH. GROOVE IN LID SEAT FOR OIL RESISTANT T-GASKET, NITRILE, (60 DURO)

T-SEAL/CONCEALED PICKHOLE DETAIL
GASKETED LIDS USED FOR SANITARY AND WATER MANHOLES



COMPONENT NUMBERS:

ALL CASTINGS/FRAMES ARE:
1642

CHANHASSEN LOGO LID NUMBERS:
5631 - SANITARY MANHOLES
5634 - STORM MANHOLES
5640 - WATER MANHOLES

NOTES:

1. BOLTS NOT REQUIRED UNLESS CALLED OUT IN SPECIAL CONDITIONS.
2. CASTINGS AND LIDS MEET HS-25 REQUIREMENTS
3. ALL CASTINGS AND LIDS SHALL BE MANUFACTURED IN USA

MATERIALS:

5. LID-CAST GRAY IRON, ASTM A-48 CLASS 35B
6. FRAME-CAST GRAY IRON, ASTM-A-49 CLASS 40A
7. FINNISH-BARE METAL NO PAINT OR COATINGS.



**CITY OF
CHANHASSEN**

MANHOLE CASTINGS
AND LIDS DETAIL

REVISED: 1-21

FILE NAME: G:\ENG\SPECS\2111

ENGINEERING DEPARTMENT

PLATE NO.:

2111