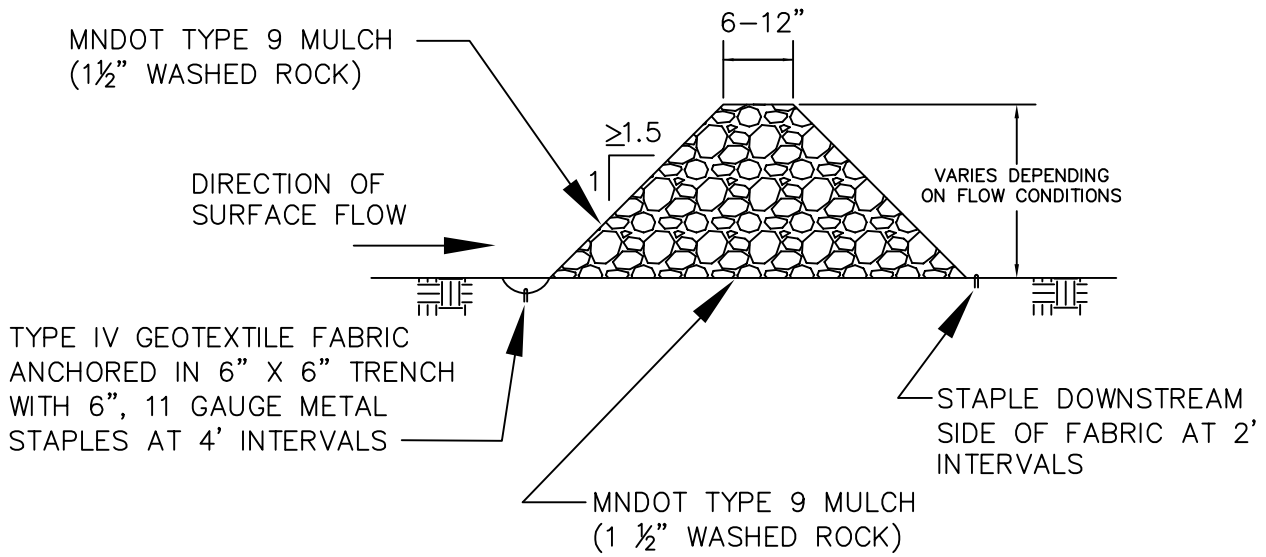
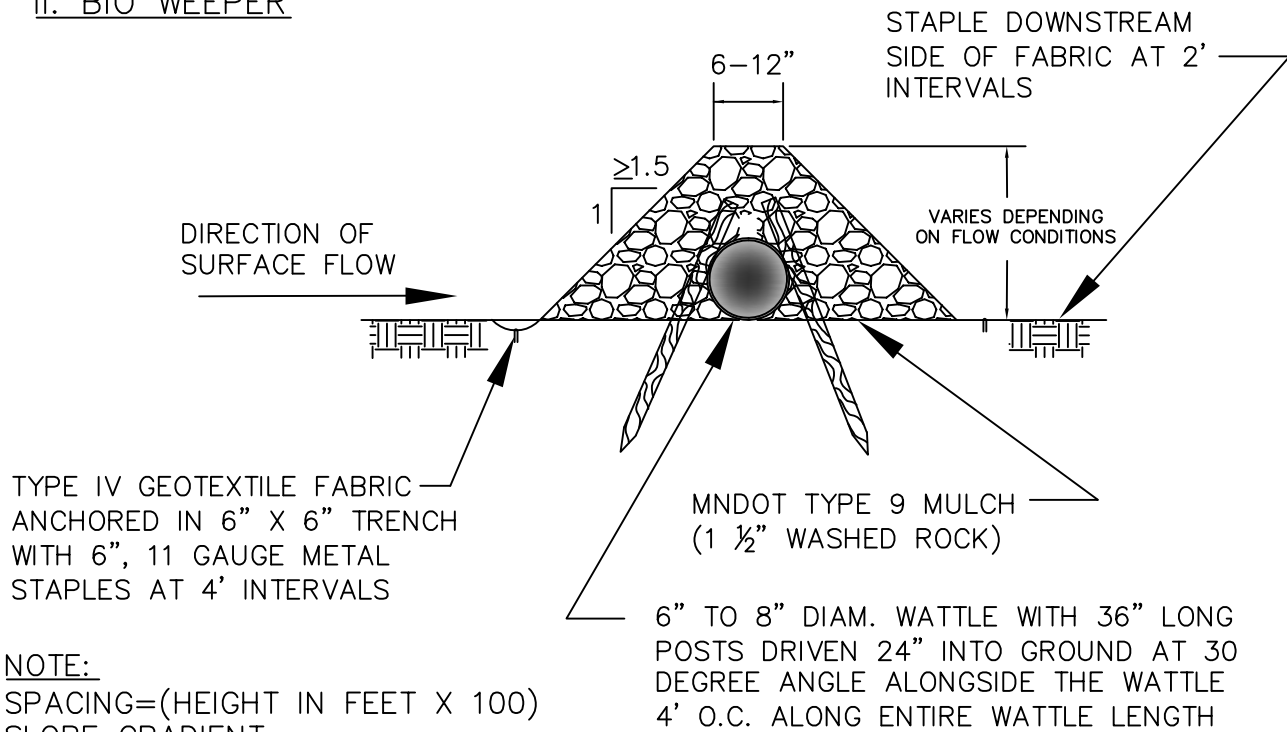


I. ROCK WEEPER



II. BIO WEEPER



NOTE:
 SPACING=(HEIGHT IN FEET X 100)
 SLOPE GRADIENT



**CITY OF
 CHANHASSEN**

WEEPER DITCH CHECK/
 DITCH CHECK WITH WATTLE

REVISED: 3-19

FILE NAME: G:\ENG\SPECS\5302H

ENGINEERING DEPARTMENT

PLATE NO.:

5302H