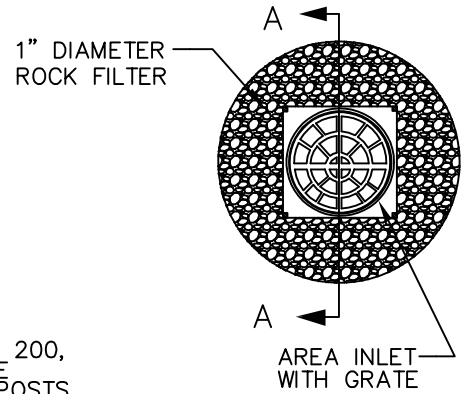
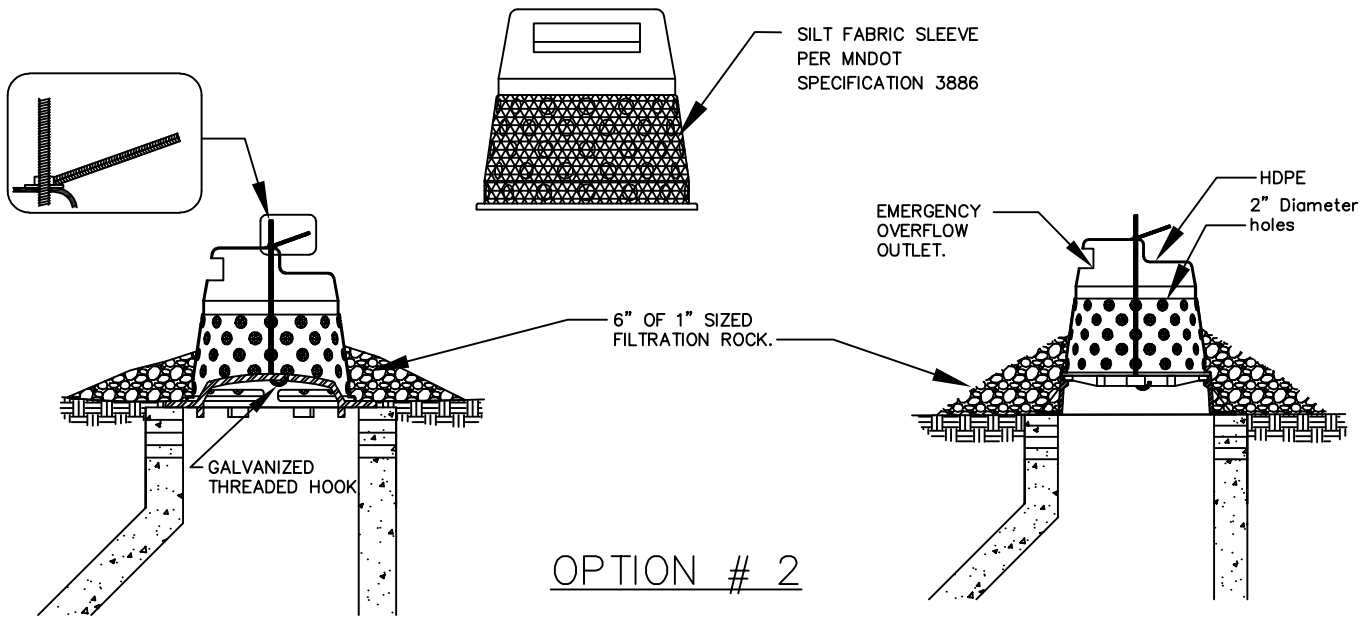


SECTION A-A



NOTE:
 SILT FENCE PER MNDOT SPECIFICATIONS, SOURCE 200, MONOFILAMENT, 36" WIDE FASTENED TO STEEL T-POSTS WITH 3 (50LB) TENSILE STRENGTH PLASTIC ZIP TIES PER T-POST

OPTION # 1



OPTION # 2

GENERAL NOTES:

1. SEE MNDOT SPECIFICATIONS 2573, 3137, & 3886.
2. DEVICES SHALL BE INSTALLED & MAINTAINED TO PREVENT FLOODING OF ROADWAYS, DRIVEWAYS & PRIVATE PROPERTY.
3. FILTER BARRIERS TO BE INSTALLED WITHIN 24 HOURS OF STRUCTURE PLACEMENT.
4. FILTER BARRIERS SHALL BE INSPECTED DURING EROSION CONTROL INSPECTIONS. ANY DEFECTIVE OR DAMAGED MATERIALS MUST BE REPLACED WITHIN 24 HOURS.



**CITY OF
 CHANHASSEN**

OFFROAD CATCHBASIN
 FILTER BARRIER
 OPTIONS 1 & 2

REVISED: 2-22

FILE NAME: G:\ENG\SPECS\5302G

ENGINEERING DEPARTMENT

PLATE NO.:

5302G