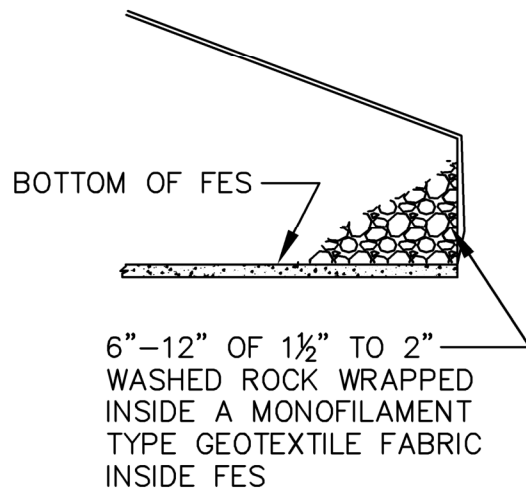
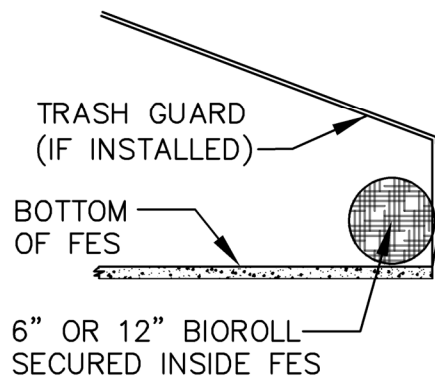


WATTLE BIOROLL WEIR

ROCK & FABRIC WEIR PERIMETER CONTROL



**CITY OF
CHANHASSEN**

FLARED END SEDIMENT TRAP
ROCK WEIR/WATTLE ROLL

REVISED: 3-19

FILE NAME: G:\ENG\SPECS\5302A

ENGINEERING DEPARTMENT

PLATE NO.:

5302F