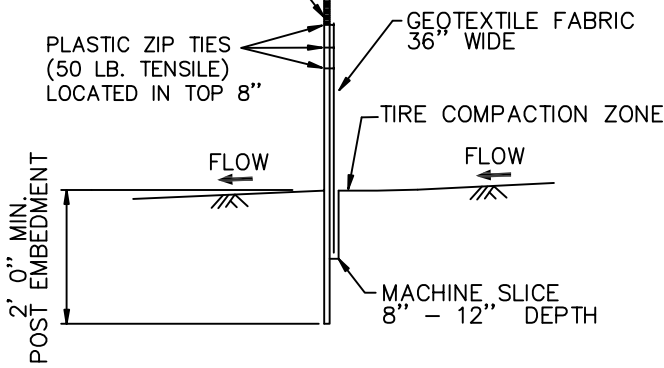
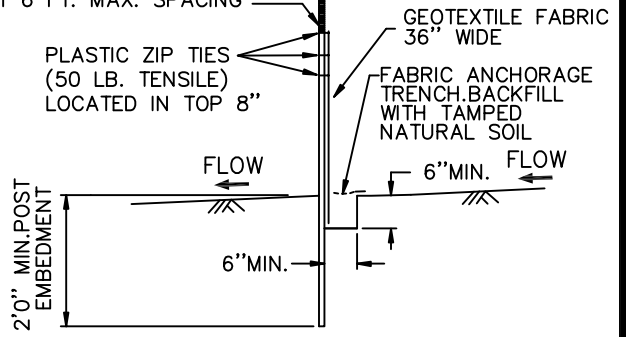


5 FT. MIN. LENGTH STEEL POST
AT 6 FT. MAX. SPACING



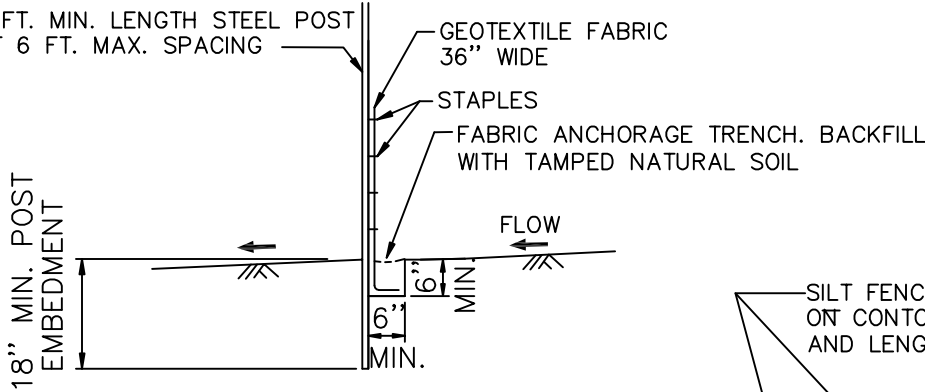
SILT FENCE, MACHINE SLICED ①②

5 FT. MIN. LENGTH STEEL POST
AT 6 FT. MAX. SPACING



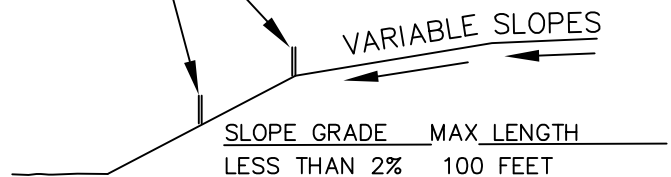
SILT FENCE, HEAVY DUTY ①②

5 FT. MIN. LENGTH STEEL POST
AT 6 FT. MAX. SPACING



SILT FENCE, PREASSEMBLED ①②

SILT FENCE TO BE PLACED
ON CONTOUR. SEE SLOPE/GRADE
AND LENGTH CRITERIA BELOW



SLOPE GRADE	MAX LENGTH
LESS THAN 2%	100 FEET
2 - 5 %	75 FEET
5 - 10%	50 FEET
10 - 20 %	25 FEET
GREATER THAN 20%	15 FEET

LOCATION OF SILT FENCE
FOR SEDIMENT CONTROL

NOTES:

Silt Fence To Meet The Requirements Of
The Most Recent Edition Of The MnDOT
Specifications. See Sections 2573 & 3886.
Wood Silt Fence Posts May Only Be Used
If Prior Approval is Obtained From The City.

- ① To Protect Area From Sheet Flow
- ② Maximum Contributing Area: 1 Acre

VARIABLE SLOPE
1:6 DESIRABLE

SILT FENCE NEAR TOE OF
SLOPE OUTSIDE OF
CONSTRUCTION LIMITS

LOCATION OF SILT FENCE
FOR PERIMETER CONTROL



**CITY OF
CHANHASSEN**

SILT
FENCE

REVISED: 1-21

FILE NAME: G:\ENG\SPCS\5300

ENGINEERING DEPARTMENT

PLATE NO.:

5300